

# *Flower Series*

Biological Laboratory Microscope

**LILY MCX500**



**micros**  
AUSTRIA

micros AUSTRIA





MCX500 stands for the fulfillment of highest requirements in the laboratory area. High value was set on strain-free comfortable operation which is made possible by newly developed ICO PLAN Infinitive objectives and a very bright Koehler illumination system.

The 22 mm field of view allows for a large-area survey of the specimen and consequently for quick and efficient operations.

MCX500 was developed for the modern end-user who wants to apply new ideas and practical developments at a reasonable price.

### Ergonomic Tube

Tireless relaxed work with a microscope over a long period of time can only be achieved by the optimal adjustment of an ergonomic tube. MCX500 ergonomic tube can be smoothly inclined in different angles between 5° and 35°. Interpupillary distance is variable from 48 – 75 mm with diopter adjustment. On the optional photo/video port all popular photo and video cameras can be mounted.

### Eyepieces

Extra Widefield High-Eyepoint eyepieces come with a large field of view (22). This grants an ideal and relaxed observation- also for spectacle wearers.

### New ICO PLAN Infinitive Optical System

The new infinitive corrected ICO PLAN objectives provide a clear image for all magnifications. The chromatic aberrations and curvature of field are corrected over the complete field of view. Objectives up to 100x magnification can be used without exchanging the condenser. A smooth working reverse-angle sextuple nosepiece leaves more working space on the stage, allowing for an easier and faster handling of your specimen.

### Epi-Fluorescence Attachment

The fluorescence illuminator incorporates a filter turret for 6 standardized cubes and an extremely bright 100W mercury lamp. The standard attachment is equipped with a blue and a green cube. It also permits UV excitation observation as an option. The cubes can be easily replaced in order to arrange an individual combination.

### Mechanical Stage

The large double layer mechanical stage can hold 2 slides. The low positioned coaxial controls allow for comfortable and strain-free handling of the stage with your hand remaining on the tabletop. The stage comes with an inserted ultra-hardened glass plate as standard. It can be changed easily when necessary. As an option the glass plate can be connected to a high-tech light system.

### Illumination

Standard version of Lily is equipped with 12V/50W halogen illumination, option is a 12V/100W halogen system.

### Accessories

for a wide range of applications such as:

- Dry and oil immersion darkfield
- Phasecontrast
- Polarization
- Fluorescence
- Photo/Video

### Discussison Bridge

This attachment allows the simultaneous viewing of the same specimen by up to 5 people. Equipped with a bright LED pointer it is the ideal instrument for teaching and discussion purposes.

## Biological Laboratory Microscope

### LILY MCX500

**For professional research.**

**Sharpness, clarity and flatness can be taken for granted!**

MCX500 is the result of processing high-quality raw materials with great accuracy and a love for details. With "Lily" we meet the demand of many customers for sophisticated microscopy at a reasonable price. Due to its extraordinary design the stand grants best stability and is suitable for many different applications. The powerful 50W halogen illumination contributes to the fact that "Lily" does not lose her brilliancy in discerning contrast procedures such as phase contrast or polarization.

### Flexible Glass Stage & Glass Flash Stage

With customary tables after many working hours you have the problem of scratched, blotchy surfaces. From now on this sad fact can be changed easily. As standard for LILY, we provide a stage with an exchangeable, ultra-hardened, flexible glass plate which is resistant against abrasion, scratches and chemical fluids. In addition, the frosted screen makes the specimen visible and gives you the possibility to preselect your samples. An extra-safety glass and finish-machined edges guarantee save and esthetic work.

As an option the glass stage can be connected to a high-tech light system. The intergrated light foil grants a homogeneous illumination and allows to make a fast macroscopical preselecting of the specimen. The foil's white surface creates an inspection area which makes it easy to decide about and/or examine bad-dyed specimens or to mark very small samples. The gentle light is on/off-switchable and even after some working hours does not get warm. The surface is easy to clean and in case it should be necessary the glass plate is exchanged in just a few easy steps.



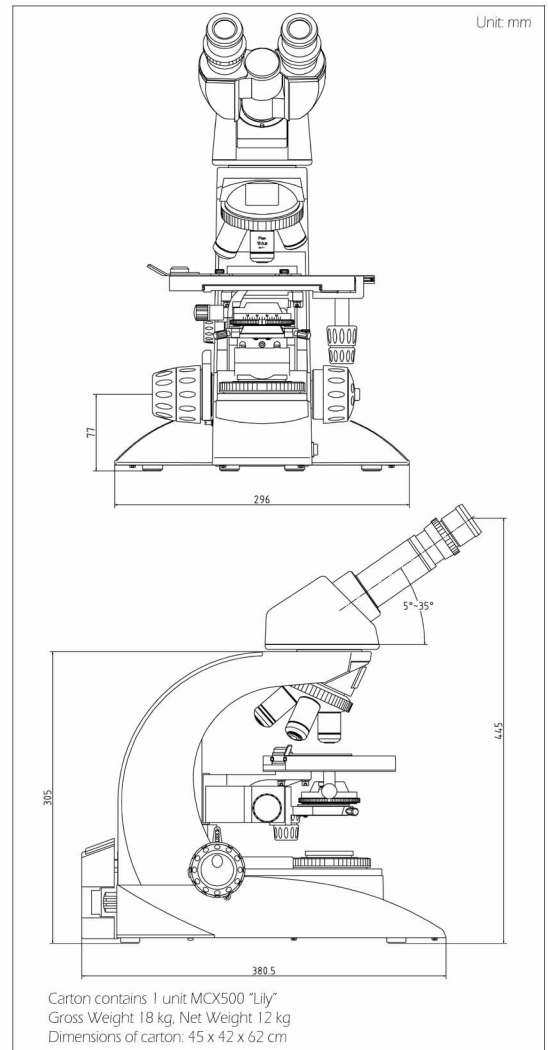


**micros**  
If you love microscopes!

## Specifications

Magnification Range	40x - 1000x
Microscope Body	Sturdy, high-tech aluminium casting. 380.5 x 295 mm base with supportive anti-vibration rubber feet
Nosepiece	Sextuple, reverse-angle mechanism with multiple ball bearings, elastic nosepiece grip ring
Head	Compensation binocular ERGO head, inclination from 5° to 35°, 360° rotatable, interpupillary distance 48 - 75 mm, diopter adjustment, provided with Anti-Fungus treatment
Stage	Double layer specimen stage, size 243 x 158 mm, with right handed mechanical stage, moving range 80 x 55 mm with low position, coaxial coarse and calibrated fine focus control with graduation reading 1 micron per division. Total focusing range 24 mm. With inserted flexible glass plate
Condenser	Abbé brightfield swing-out condenser, n.A. 0.9/1.25 with integrated iris diaphragm
Collector system	Real Koehler illumination with optical light collector system
Eyepieces	High-Eyepoint EW 10x/22 extra widefield
Objectives	ICO PLAN Infnitive 4x/0.10 ICO PLAN Infnitive 10x/0.25 ICO PLAN Infnitive 40x/0.65, spring loaded ICO PLAN Infnitive 100x/1.25 oil, spring loaded
Illumination	Power supply inbuilt, 12V50W halogen bulb, switchable for 110/220V, 50/60Hz Alternative 12V100W halogen illumination system
Focusing Level	Adjustable
CA Tension Control	Adjustable
Accessories	Dust cover, blue filter, immersion oil, 2 pcs. long-life 12V50W halogen bulbs, fuses, power cord and instruction manual
Options	Photo/Video port for binocular ERGO head, flexible flash glass stage, phasecontrast set, darkfield attachment, fluorescence attachment, polarization set, 100W halogen light source and observation sets for up to 5 people

## Dimensional Diagram



Microscope designed by MICROS Austria. Specifications and equipment are subject to change without any obligation on the part of the manufacturer.



**RMS**

Member of Royal Microscopical Society

**micros**

### MICROS AUSTRIA

Headquarter Austria  
Breitenfurter Strasse 38  
A-1120 Vienna  
Tel: +43/1/802 72 70  
Fax: +43/1/802 72 71  
office@micros.at  
www.micros.at

### MICROS USA, LLC

6800 Garfield Avenue  
Minneapolis  
MN 55423  
Cell phone: +1/612/770 38 85  
Fax: +1/206/984 39 49  
sales@microsusa.com  
www.microsusa.com

### MICROS IBEROAMERICA, LLC

3923 Tamiami Trail E, # 232  
Naples, FL 34112  
Tel: 239/331/7362  
Fax: 239/793/1109  
info@micro-iberoamerica.com  
www.micros-iberoamerica.com

### MICROS RUSSIA & CIS

123610, Moscow  
World Trade Center Moscow  
Krasnopresnenskaya  
nab.12, office 708  
Tel: +7 (495) 967-07-25  
Fax: +7 (495) 967-07-26  
info@micros-at.ru  
www.micros-at.ru

We are here for you: